



乐为机械
NOVO MACHINERY



成 都 乐 为 机 械 有 限 公 司
CHENGDU NOVO MACHINERY CO.,LTD

Room 1101, No. 5 Beisen North Road, Qingyang District, Chengdu, China

Tel: 0086-028-62051659

0086-18782455237

Fax: 0086-028-87366608

Contact:Lancy Luo

Email: novo-sales6@hotmail.com

Website: www.novomachinery.com



乐为机械
NOVO M. CHINERY

公司简介:

COMPANY PROFILE

成都乐为机械有限公司是一家专业从事传动件、各类机械零部件生产销售的公司。合资公司作为生产基地占地面积2万余平方米，拥有固定生产厂房5000余平方米，各种生产专业设备齐全（包括：滚齿机、钻铣加工中心、磨床、空气锤、液压拉床等等），具备年生产传动件80万件的生产能力。并在2003年取得中国质量认证中心颁发的ISO9001:2000质量管理体系认证证书。

产品包括：胀紧套（无键联结装置）、同步带轮、限扭装置、齿轮、链轮、皮带轮、各种联轴器、轴、齿轮、链轮等传动件，以及各种来图加工的机械零部件。产品销往全国20多个省、市、自治区，并先后出口到美国、英国、西班牙、德国、意大利、波兰等国家和地区。

公司长期遵循“以信誉求发展，以质量求生存”的发展理念，真诚希望与客户携手合作，共创辉煌！

Chengdu Novo Machinery Co., Ltd professionally produces and sells transmission parts and various types of machinery components. Our joint venture company as a manufacturing base covers an area of over 20,000 square meters, with a fixed production plant 5,000 square meters, various professional production equipments (Hobbing machines, drilling-milling machines, grinders, pneumatic hammers, hydraulic broaching machines, etc), with the capacity of producing 800,000 transmission parts every year. It has been ISO9001:2000 Certified .Since 2003 from China Quality Certification Center.

Our main products including locking assemblies, timing belt pulleys, torque limiters, gear couplings, shafts, gears, sprockets and mechanical custom products as drawings, have been sold to various provinces, cities, municipalities of China, and exported to USA, UK, Spain, Germany, Italy, Poland and other regions and countries.

"High quality, low price, prompt delivery", based on the management principle of "To develop with credibility, to survive with quality" Novo hope to cooperate and create mutual benefits with our customers together!



Locking Devices	胀紧联结套	Page
 NV-ZT1	NV-ZT1型	1
 NV-ZT2	NV-ZT2型	2
 NV-ZT3	NV-ZT3型	3
 NV-ZT3B	NV-ZT3B型	4
 NV-ZT6	NV-ZT6型	5
 NV-ZT6A	NV-ZT6A型	6
 NV-ZT7B	NV-ZT7B型	7
 NV-ZT8	NV-ZT8型	8
 NV-ZT11	NV-ZT11型	9
 NV-ZT12A	NV-ZT12A型	10
 NV-ZT12B	NV-ZT12B型	11
 NV-ZT13	NV-ZT13型	12
 NV-ZT17	NV-ZT17型	13
 NV-ZT19B	NV-ZT19B型	14

Torque Limiter 限扭装置 Page



限扭装置
Torque Limiter

16-20

Timing Belt Pulleys 同步带轮

样本结构图 Configuration of timing belt pulleys 22-23



直孔直边齿型 (XL-L-H)
Plain Bore(XL-L-H) 24



锥孔直边齿型 (L-H)
Taper Bushes(L-H) 34



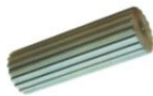
T型齿型
T2.5-T10 40



直孔HTD齿型
Plain Bore(HTD) 45



锥孔HTD齿型
Taper Bushes(HTD) 54



同步轮棒齿型
Timing Pulley Bar 60



挡板
Flange 63



爪式连轴器
Taper Bushing 68

CONTENTS

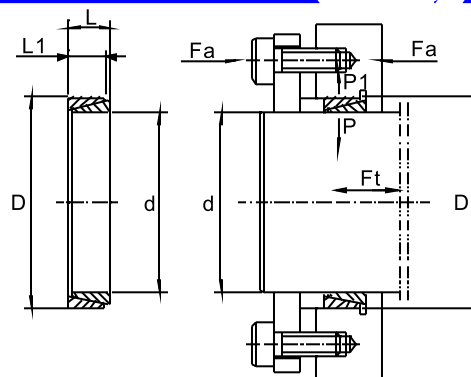
THE DIMENSION TO FIX (SUGGESTION):

Nominal dimension less than 38mm:

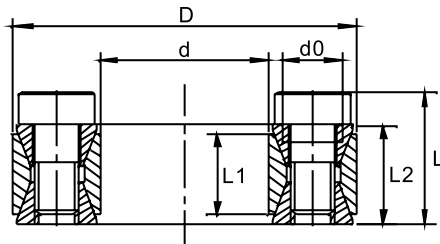
shaft: h6 hub: H7

Nominal dimension more than 40mm:

shaft: h8 hub: H8



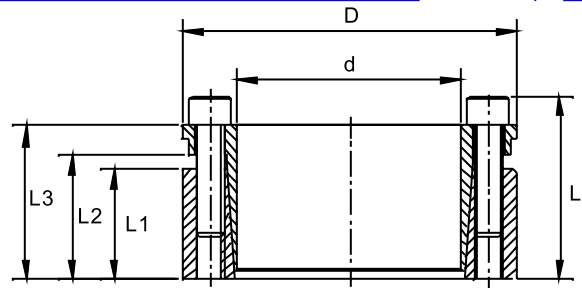
尺 寸 Dimensions				传 递 Transmission		接 触 面 压 强 Contact Pressure		
				轴 向 力 Axial Force		扭 矩 Torque	轴 Shaft	毂 Hub
Φd mm	ΦD mm	L mm	L1 mm	Fa KN	Ft KN	Mt Nm	P N/mm ²	P1 N/mm ²
8	11	4.5	3.7	8.9	0.97	3.9	87	70
10	13	4.5	3.7	19.9	1.27	6.5	87	75
12	15	4.5	3.7	12.2	1.54	9.2	87	75
13	16	4.5	3.7	12.5	1.70	11.2	87	78
14	18	6.3	5.3	20.2	2.64	17.5	87	78
15	19	6.3	5.3	23.3	2.84	20.5	87	78
16	20	6.3	5.3	23.7	3.04	23.5	87	78
17	21	6.3	5.3	23.9	3.32	26.3	87	78
18	22	6.3	5.3	24.6	3.33	29.6	87	78
19	24	6.3	5.3	28.9	3.62	34.1	87	78
20	25	6.3	5.3	29.3	3.82	36.8	87	78
22	26	6.3	5.3	28.1	4.21	44.5	87	83
24	28	6.3	5.3	29.1	4.60	54.2	87	83
25	30	6.3	5.3	31.4	4.80	58.1	87	83
28	32	6.3	5.3	31.5	5.39	73.6	87	83
30	35	6.3	5.3	34.4	5.78	86.5	87	83
32	36	6.3	5.3	35.5	6.17	95.6	87	83
35	40	7.0	6.0	44.4	7.67	133.5	87	86
36	42	7.0	6.0	46.9	7.84	140.5	87	83
38	44	7.0	6.0	48.4	8.33	155.8	87	83
40	45	8.0	6.6	57.1	9.65	188.8	87	85
42	48	8.0	6.6	61.1	10.10	211.1	87	85
45	52	10.0	8.6	89.9	13.88	318.8	87	85
48	55	10.0	8.6	92.2	15.15	355.9	87	85
50	57	10.0	8.6	94.5	15.75	384.4	87	85
55	62	10.0	8.6	99.3	17.20	476.2	87	85
56	64	12.0	10.4	125.1	21.40	593	87	85
60	68	12.0	10.4	130.5	22.00	692	87	85
63	71	12.0	10.4	134.1	23.80	754	87	85
65	73	12.0	10.4	134.5	24.01	803	87	85
70	79	14.0	12.2	172.8	31.00	1100	87	85
71	80	14.0	12.2	174.9	31.80	1130	87	85
75	84	14.0	12.2	185.2	33.50	1250	87	85
80	91	17.0	15.0	246.5	43.80	1760	87	85
90	101	17.0	15.0	265.2	49.75	2220	87	85
100	114	21.0	18.7	368.8	68.88	3430	87	85
110	124	21.0	18.7	405.5	75.89	4150	87	85
120	134	21.0	18.7	431.5	83.00	4920	87	85
130	148	28.0	25.3	640.1	121.55	7810	87	85
140	158	28.0	25.3	676.1	128.78	9090	87	85
150	168	28.0	25.3	712.5	138.22	10407	87	85



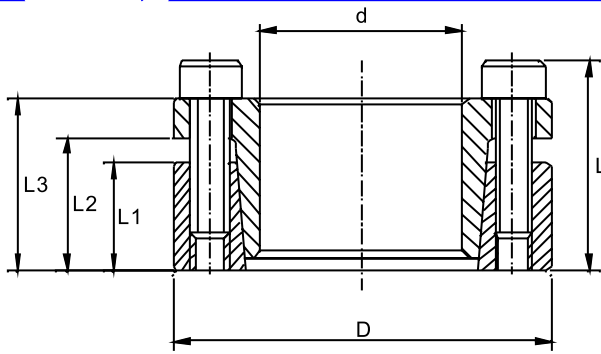
**THE DIMENSION TO FIX
(SUGGESTION):
SHAFT: h8
HUB: H8**

尺寸 Dimensions					传 递 Transmission		接触面压强 Contact Pressure		DIN912-12.9锁紧螺钉 Locking Screws Din912-12.9		
					轴向力 Axial Force	扭矩 Torque	轴 Shaft	毂 Hub	数量 Qty.	规格 Size	锁紧扭矩 Tightening Torque
Φd mm	ΦD mm	L1 mm	L2 mm	L mm	Ft KN	Mt Nm	P N/mm ²	P1 N/mm ²			Ts Nm
19	47	17	20	26	26.8	260	220	93	8	M6×18	17
20	47	17	20	26	26.8	268	210	93	8	M6×18	17
22	47	17	20	26	26.8	283	207	96	8	M6×18	17
24	50	17	20	26	30.1	361	206	103	9	M6×18	17
25	50	17	20	26	30.1	376	206	103	9	M6×18	17
28	55	17	20	26	33.5	420	204	103	10	M6×18	17
30	55	17	20	26	33.5	450	190	103	10	M6×18	17
32	60	17	20	26	40.2	643	214	114	12	M6×18	17
35	60	17	20	26	40.2	703	196	114	12	M6×18	17
38	65	17	20	26	46.9	891	204	122	14	M6×18	17
40	65	17	20	26	46.9	938	200	122	14	M6×18	17
42	75	20	24	32	73.2	1537	228	125	12	M8×22	38
45	75	20	24	32	73.2	1647	208	125	12	M8×22	38
48	80	20	24	32	73.2	1756	190	110	12	M8×22	38
50	80	20	24	32	73.2	1830	189	115	12	M8×22	38
55	85	20	24	32	85.4	2348	200	130	14	M8×22	38
60	90	20	24	32	85.4	2560	180	122	14	M8×22	38
65	95	20	24	32	97.6	3170	191	130	16	M8×22	38
70	110	24	28	38	134.4	4700	211	132	14	M10×25	75
75	115	24	28	38	134.4	5000	194	128	14	M10×25	75
80	120	24	28	38	134.4	5300	182	124	14	M10×25	75
85	125	24	28	38	153.6	6500	196	133	16	M10×25	75
90	130	24	28	38	153.6	6900	181	128	16	M10×25	75
95	135	24	28	38	172.8	8200	196	139	18	M10×25	75
100	145	26	33	45	197.4	9870	198	139	14	M12×30	130
110	155	26	33	45	187.4	10800	181	128	14	M12×30	130
120	165	26	33	45	225.6	13500	187	139	16	M12×30	130
130	180	34	38	50	282	18300	168	119	20	M12×35	130
140	190	34	38	50	310.1	21700	168	128	22	M12×35	130
150	200	34	38	50	338.4	25300	170	128	24	M12×35	130
160	210	34	38	50	366.6	29300	171	132	26	M12×35	130
170	225	38	44	58	389	33000	162	123	22	M14×40	207
180	235	38	44	58	424	38000	168	128	24	M14×40	207
190	250	46	52	66	495	47000	154	114	28	M14×45	207
200	260	46	52	66	531	53000	157	118	30	M14×45	207
220	285	50	56	72	631	69400	152	117	26	M16×50	290

THE DIMENSION TO FIX
(SUGGESTION):
SHAFT: h8
HUB: H8



尺寸 Dimensions						传递 Transmission		接触面压强 Contact Pressure		DIN912-12.9锁紧螺钉 Locking Screws Din912-12.9		
						轴向力 Axial Force	扭矩 Torque	轴 Shaft	毂 Hub	数量 Qty.	规格 Size	锁紧扭矩 Tightening Torque
Φd mm	ΦD mm	L1 mm	L2 mm	L3 mm	L mm	Ft KN	Mt Nm	P N/mm ²	P1 N/mm ²			Ts Nm
19	47	26	31	39	45	30	300	190	77	4	M6×25	17
20	47	26	31	39	45	30	310	180	77	4	M6×25	17
22	47	26	31	39	45	30	340	163	77	4	M6×25	17
24	50	26	31	39	45	46	370	226	105	6	M6×25	17
25	50	26	31	39	45	46	598	217	105	6	M6×25	17
28	55	26	31	39	45	46	670	193	98	6	M6×25	17
30	55	26	31	39	45	46	717	180	98	6	M6×25	17
32	60	26	31	39	45	63	1011	226	120	8	M6×25	17
35	60	26	31	39	45	63	1101	206	120	8	M6×25	17
38	65	26	31	39	45	63	1210	190	111	8	M6×25	17
40	65	26	31	39	45	63	1250	180	111	8	M6×25	17
42	75	30	36	47	55	85	1790	201	112	6	M8×30	41
45	75	30	36	47	55	85	1914	178	112	6	M8×30	41
48	80	30	36	47	55	85	2081	180	105	6	M8×30	41
50	80	30	36	47	55	85	2154	169	105	6	M8×30	41
55	85	30	36	47	55	115	3199	200	133	8	M8×30	41
60	90	30	36	47	55	115	3480	191	125	8	M8×30	41
65	95	30	36	47	55	115	3754	175	115	8	M8×30	41
70	110	40	46	57	67	187	6595	196	125	8	M10×35	83
75	115	40	46	62	72	187	7069	193	120	8	M10×35	83
80	120	40	46	62	72	187	7530	171	115	8	M10×35	83
85	125	40	46	62	72	231	10010	201	130	10	M10×35	83
90	130	40	46	62	72	231	10600	190	130	10	M10×35	83
95	135	40	46	62	72	231	11150	180	125	10	M10×35	83
100	145	46	52	77	89	271	13700	173	120	8	M12×45	145
110	155	46	52	77	89	271	15056	166	111	8	M12×45	145
120	165	46	52	77	89	340	20566	180	130	10	M12×45	145
130	180	46	52	77	89	409	26744	200	145	12	M12×45	145
140	190	51	59	84	98	363	26074	156	111	8	M14×45	230
150	200	51	59	84	98	457	34916	178	132	10	M14×45	230
160	210	51	59	84	98	457	37301	168	127	10	M14×45	230
170	225	51	59	84	98	550	47600	190	140	12	M14×45	230
180	235	51	59	84	98	550	50400	178	135	12	M14×45	230

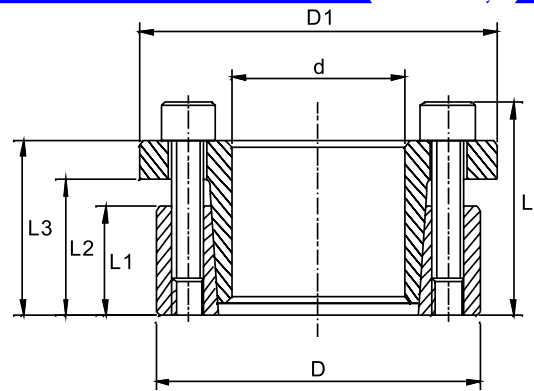


THE DIMENSION TO FIX
(SUGGESTION):
SHAFT: h8
HUB: H8

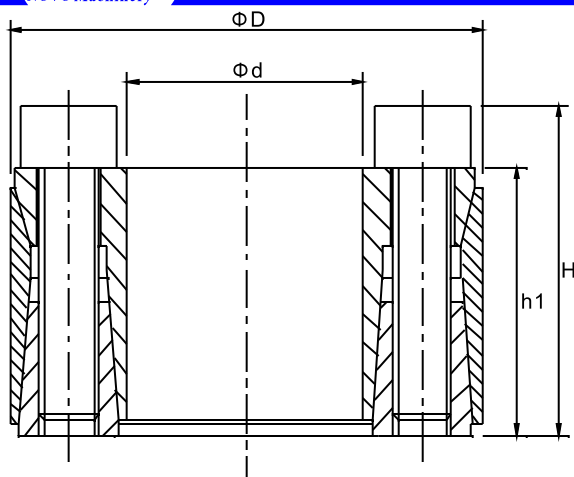
尺寸 Dimensions							传 递 Transmission		接触面压强 Contact Pressure		DIN912-12.9锁紧螺钉 Locking Screws Din912-12.9		
							轴向力 Axial Force	扭矩 Torque	轴 Shaft	毂 Hub	数量 Qty.	规格 Size	锁紧扭矩 Tightening Torque
Φd mm	ΦD mm	L1 mm	L2 mm	L3 mm	L4 mm	L mm	Ft KN	Mt Nm	P N/mm ²	P1 N/mm ²			Ts Nm
19	47	17	22	28	25	34	28	269	258	100	5	M6×20	13
20	47	17	22	28	25	34	28	285	240	100	5	M6×20	13
22	47	17	22	28	25	34	28	313	220	100	5	M6×20	13
24	50	17	22	28	25	34	33	409	240	110	6	M6×20	13
25	50	17	22	28	25	34	33	422	230	110	6	M6×20	13
28	55	17	22	28	25	34	33	472	210	100	6	M6×20	13
30	55	17	22	28	25	34	33	509	195	100	6	M6×20	13
32	60	17	22	28	25	34	44	733	245	130	8	M6×20	13
35	60	17	22	28	25	34	44	798	220	130	8	M6×20	13
38	65	17	22	28	25	34	44	869	205	120	8	M6×20	13
40	65	17	22	28	25	34	44	915	195	120	8	M6×20	13
42	75	20	25	33	30	41	71	1560	260	140	7	M8×25	32
45	75	20	25	33	30	41	71	1861	240	140	7	M8×25	32
50	80	20	25	33	30	41	71	1861	210	130	7	M8×25	32
55	85	20	25	33	30	41	81	2330	220	140	8	M8×25	32
60	90	20	25	33	30	41	81	2543	200	130	8	M8×25	32
65	95	20	25	33	30	41	85	3100	210	140	9	M8×25	32
70	110	24	30	40	37	50	135	4820	240	150	8	M10×30	65
75	115	24	30	40	37	50	135	5164	220	140	8	M10×30	65
80	120	24	30	40	37	50	135	5510	210	140	8	M10×30	65
85	125	24	30	40	37	50	152	6600	220	150	9	M10×30	65
90	130	24	30	40	37	50	152	6970	210	140	9	M10×30	65
95	135	24	30	40	37	50	169	8155	220	150	10	M10×30	65
100	145	26	32	44	41	56	189	9700	220	150	8	M12×35	110
110	155	26	32	44	41	56	189	10711	200	140	8	M12×35	110
120	165	26	32	44	41	56	215	13131	200	140	9	M12×35	110
130	180	34	40	52	49	64	289	18855	190	140	12	M12×35	110
140	190	34	40	54	51	68	289	20212	180	130	9	M14×40	170
150	200	34	40	54	51	68	319	24188	180	140	10	M14×40	170
160	210	34	40	54	51	68	349	28399	190	140	11	M14×40	170
170	225	44	50	64	61	78	379	32929	150	110	12	M14×40	170
180	235	44	50	64	61	78	379	34855	140	110	12	M14×40	170

THE DIMENSION TO FIX
(SUGGESTION):

SHAFT: h8
HUB: H8



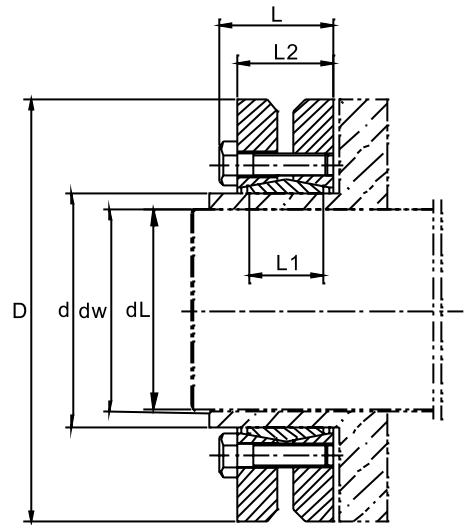
尺寸 Dimensions							传递 Transmission		接触面压强 Contact Pressure		DIN912-12.9锁紧螺钉 Locking Screws Din912-12.9		
							轴向力 Axial Force	扭矩 Torque	轴 Shaft	毂 Hub	数量 Qty.	规格 Size	锁紧扭矩 Tightening Torque
Φd mm	ΦD mm	D1 mm	L1 mm	L2 mm	L3 mm	L mm	Ft KN	Mt Nm	P N/mm ²	P1 N/mm ²			Ts Nm
14	55	62	17	22	31	39	30	230	292	100	6	M6×35	37
16	55	62	17	22	31	39	30	260	261	100	6	M6×35	37
18	55	62	17	22	31	39	35	330	243	100	6	M6×35	41
19	55	62	17	22	31	39	35	350	172	77	7	M6×45	41
20	55	62	17	22	31	39	35	370	285	112	7	M8×50	41
22	55	62	17	22	31	39	35	400	271	112	7	M8×50	41
24	55	62	17	22	31	39	35	440	258	112	7	M8×50	41
25	55	62	17	22	31	39	35	460	241	112	7	M8×50	41
28	55	62	17	22	31	39	35	510	199	94	8	M8×55	41
30	55	62	17	22	31	39	44	550	191	94	8	M8×55	41
24	65	72	17	22	31	39	44	550	196	99	9	M8×55	41
25	65	72	17	22	31	39	44	570	199	104	10	M8×55	41
28	65	72	17	22	31	39	44	640	184	99	10	M8×55	41
30	65	72	17	22	31	39	44	690	218	111	10	M10×60	41
32	65	72	17	22	31	39	44	740	203	106	10	M10×60	41
35	65	72	17	22	31	39	44	810	209	112	11	M10×60	41
38	65	72	17	22	31	39	44	880	215	117	12	M10×60	41
40	65	72	17	22	31	39	44	920	203	112	12	M10×60	41
30	80	87	20	25	33	41	63	970	192	108	12	M10×60	41
32	80	87	20	25	33	41	63	1030	195	105	11	M12×80	41
35	80	87	20	25	33	41	63	1130	193	107	12	M12×80	41
38	80	87	20	25	33	41	63	1230	207	117	14	M12×80	41
40	80	87	20	25	33	41	63	1290	185	108	12	M14×90	41
42	80	87	20	25	33	41	63	1360	201	120	14	M14×90	41
45	80	87	20	25	33	41	63	1450	201	122	15	M14×90	41
48	80	87	20	25	33	41	63	1550	201	124	16	M14×90	41
50	80	87	20	25	33	41	63	1620	190	107	14	M16×110	41



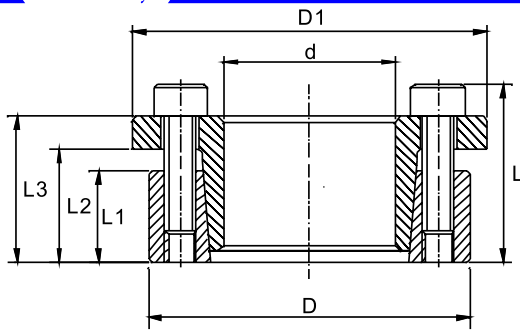
**THE DIMENSION TO FIX
(SUGGESTION):
SHAFT: h8
HUB: H8**

尺寸 Dimensions				传递 Transmission		接触面压强 Contact Pressure		DIN912-12.9锁紧螺钉 Locking Screws Din912-12.9		
				轴向力 Axial Force	扭矩 Torque	轴 Shaft	毂 Hub	数量 Qty.	规格 Size	锁紧扭矩 Tightening Torque
Φd mm	ΦD mm	H mm	h1 mm	Ft KN	Mt Nm	P N/mm ²	P1 N/mm ²			Ts Nm
16	32	24	18	9	72	83	41	4	M4 × 16	5.1
16	40	24	18	23	210	83	74	4	M6 × 16	17
19	41	24	18	23	222	155	72	4	M6 × 16	17
20	42	24	18	23	233	147	70	4	M6 × 16	17
22	44	24	18	23	257	134	67	4	M6 × 16	17
24	46	24	18	35	420	184	96	6	M6 × 16	17
25	47	24	18	35	438	177	94	6	M6 × 16	17
28	50	24	18	35	490	158	88	6	M6 × 16	17
30	52	24	18	35	525	147	85	6	M6 × 16	17
32	54	24	18	35	560	138	82	6	M6 × 16	17
35	57	28	21.5	26	459	79	49	6	M6 × 18	17
36	58	28	21.5	35	630	103	64	8	M6 × 18	17
38	60	28	21.5	35	665	97	62	8	M6 × 18	17
40	62	28	21.5	35	700	93	60	8	M6 × 18	17
42	70	36	28	82	1730	159	96	8	M8 × 25	41
45	73	36	28	82	1853	149	92	8	M8 × 25	41
48	76	36	28	82	1977	139	88	8	M8 × 25	41
50	78	36	28	82	2059	134	86	8	M8 × 25	41
55	83	36	28	94	2589	139	92	8	M8 × 25	41
60	88	36	28	94	2824	127	87	8	M8 × 25	41
65	93	45	35	94	3060	94	66	8	M8 × 25	41
70	105	45	35	133	4671	124	83	8	M10 × 30	82
75	110	45	35	133	5004	116	79	8	M10 × 30	82
80	115	45	35	150	6005	122	85	8	M10 × 30	82
85	120	45	35	167	7089	127	90	10	M10 × 30	82
90	125	45	35	167	7506	120	87	10	M10 × 30	82
100	138	45	35	167	8340	108	79	10	M10 × 30	82

THE DIMENSION TO FIX
(SUGGESTION):
SHAFT: h8



尺寸 Dimensions							传递 Transmission		接触面压强 Contact Pressure	DIN931-10.9锁紧螺钉 Locking Screws Din931-10.9		
							轴向力 Axial Force	扭矩 Torque	轴 Shaft	数量 Qty.	规格 Size	锁紧扭矩 Tightening Torque
Φd mm	ΦD mm	dw mm	L1 mm	L2 mm	L mm	C(dw-d1) mm	Ft KN	Mt Nm	P N/mm ²			Ts Nm
24	50	19 20 21	14	19.5	23	0.017	15.0 18.5 21.0	162 200 238	272.0	6	M5×18	4.9
30	60	24 25 26	16	21.5	25	0.017	15.7 23.7 26.7	285 323 361	221.0	7	M5×18	4.9
36	72	28 30 31	18	23.5	27.5	0.032	27.0 38.0 43.0	418 542 599	292.0	5	M6×20	11.8
44	80	32 35 36	20	25.5	29.5	0.032	44.0 49.0 54.0	589 741 817	301.0	7	M6×20	11.8
50	90	38 40 42	22	27.5	31.5	0.032	48.8 58.8 69.0	893 1102 1311	275.0	8	M6×25	11.8
55	100	42 45 48	23	30.5	34.5	0.032	48.0 61.7 77.0	1102 1444 1786	239.0	8	M6×25	11.8
62	110	48 50 52	23	30.5	34.5	0.048	69.0 80.9 90.0	1758 2090 2280	265.0	10	M6×25	11.8
68	115	50 55 60	23	30.5	34.5	0.048	71.2 80.9 95.7	1900 2375 2993	242.0	10	M6×25	11.8
75	138	55 60 65	25	32.5	37.8	0.048	94.4 111.0 126.0	2375 3040 3753	259.0	7	M8×30	29.4
80	145	60 65 70	25	32.5	37.8	0.048	99.3 115.0 130.0	3040 3705 4370	243.0	7	M8×30	29.4
90	155	65 70 75	30	39	44.3	0.048	141.0 160.0 178.0	4513 5700 6888	257.0	10	M8×35	29.4
100	170	70 75 80	34	44	49.3	0.048	163.0 182.0 202.0	6555 7125 8550	245.0	12	M8×35	29.4
110	185	75 80 85	39	50	56.4	0.048	185.0 207.0 221.0	6840 8550 10260	232.0	9	M10×40	57.8
125	215	85 90 95	42	54	60.4	0.069	240.0 262.0 285.0	10450 12350 14250	253.0	12	M10×40	57.8
140	230	95 100 105	46	60.5	68	0.069	308.0 331.0 357.0	14345 16720 19095	251.0	10	M12×45	98
155	265	105 110 115	50	64.5	72	0.069	366.0 392.0 417.0	20900 23750 26600	250.0	12	M12×50	98
165	290	115 120 125	56	71	81	0.069	513.0 544.0 564.0	29450 33250 37050	263.0	8	M16×55	245
175	300	125 130 135	56	71	81	0.079	576.0 630.0 666.0	34200 38950 45000	248.0	8	M16×55	250



**THE DIMENSION TO FIX
(SUGGESTION):
SHAFT: h8
HUB: H8**

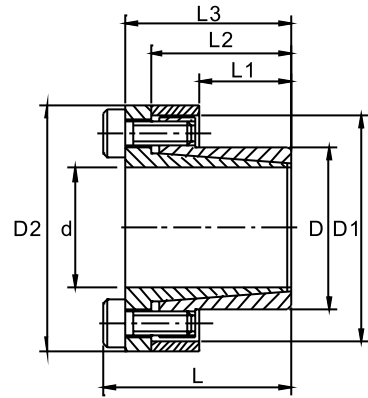
尺寸 Dimensions								传 递 Transmission		接触面压强 Contact Pressure		DIN912-12.9锁紧螺钉 Locking Screws Din912-12.9		
								轴向力 Axial Force	扭矩 Torque	轴 Shaft	毂 Hub	数量 Qty.	规格 Size	锁紧扭矩 Tightening Torque
Φd mm	ΦD mm	D1 mm	L1 mm	L2 mm	L3 mm	L4 mm	L mm	Ft KN	Mt Nm	P N/mm ²	P1 N/mm ²			Ts Nm
19	47	56	17	22	28	25	34	24	226	217	88	5	M6×20	17
20	47	56	17	22	28	25	34	24	238	206	88	5	M6×20	17
22	47	56	17	22	28	25	34	24	261	187	88	5	M6×20	17
24	50	59	17	22	28	25	34	29	342	206	99	6	M6×20	17
25	50	59	17	22	28	25	34	29	356	198	99	6	M6×20	17
28	55	64	17	22	28	25	34	29	399	177	90	6	M6×20	17
30	55	64	17	22	28	25	34	29	428	165	90	6	M6×20	17
32	60	69	17	22	28	25	34	38	608	206	110	8	M6×20	17
35	60	69	17	22	28	25	34	38	665	188	110	8	M6×20	17
38	65	74	17	22	28	25	34	38	722	174	101	8	M6×20	17
40	65	74	17	22	28	25	34	38	760	165	101	8	M6×20	17
42	75	84	20	25	33	30	41	60	1259	210	118	7	M8×25	41
45	75	84	20	25	33	30	41	60	1349	196	118	7	M8×25	41
50	80	84	20	25	33	30	41	60	1499	177	110	7	M8×25	41
55	85	94	20	25	33	30	41	68	1883	184	119	8	M8×25	41
60	90	99	20	25	33	30	41	68	2054	168	112	8	M8×25	41
65	95	104	20	25	33	30	41	77	2503	175	120	9	M8×25	41
70	110	119	24	30	40	37	50	111	3886	195	124	8	M10×30	83
75	115	124	24	30	40	37	50	111	4163	182	119	8	M10×30	83
80	120	129	24	30	40	37	50	111	4441	171	114	8	M10×30	83
85	125	134	24	30	40	37	50	125	5306	180	123	9	M10×30	83
90	130	139	24	30	40	37	50	125	5618	170	118	9	M10×30	83
95	135	144	24	30	40	37	50	139	6587	179	126	10	M10×30	83
100	145	154	26	32	44	41	56	162	8078	183	126	8	M12×35	145
110	155	164	26	32	44	41	56	162	8886	167	118	8	M12×35	145
120	165	174	26	32	44	41	56	182	10899	172	125	9	M12×35	145
130	180	189	34	40	52	49	64	242	15746	162	117	12	M12×35	145
140	190	199	34	40	54	51	68	247	17290	153	113	9	M14×40	230
150	200	209	34	40	54	51	68	274	20582	159	119	10	M14×40	230
160	210	219	34	40	54	51	68	302	24149	164	125	11	M14×40	230
170	225	234	44	50	64	61	78	329	27990	130	98	12	M14×40	230
180	235	244	44	50	64	61	78	329	29636	123	94	12	M14×40	230

NV-ZT11型 NV-ZT11

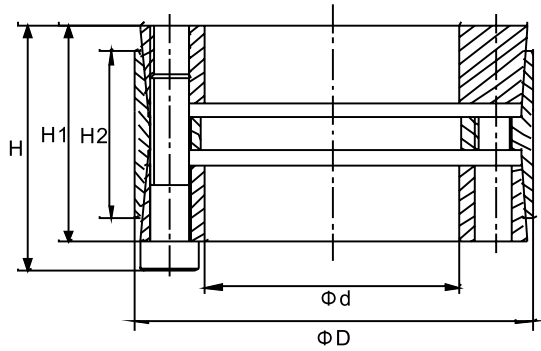


THE DIMENSION TO FIX
(SUGGESTION):

SHAFT: h8
HUB: H8



尺寸 Dimensions								传递 Transimission		接触面压强 Contact Pressure		DIN912-12.9锁紧螺钉 Locking Screws Din912-12.9		
								轴向力 Axial Force	扭矩 Torque	轴 Shaft	毂 Hub	数量 Qty.	规格 Size	锁紧扭矩 Tightening Torque
Φd mm	ΦD mm	L1 mm	L2 mm	L3 mm	L mm	D2 mm	D1 mm	Ft KN	Mt Nm	P N/mm ²	P1 N/mm ²			Ts Nm
8	15	12	21	24	28	32	28	7.19	30	190	105	4	M4 × 10	5.2
9	16	14	23	27	31	32	28	7.19	32	150	92	4	M4 × 12	5.2
10	16	14	23	27	31	32	28	9	40	140	90	4	M4 × 12	5.2
11	18	14	23	27	31	34	30	9	50	174.8	106.8	4	M4 × 12	5.2
12	18	14	23	27	31	34	30	9	55	160.8	106.8	4	M4 × 12	5.2
14	23	14	23	27	31	39	35	9	64	137.4	83.6	4	M4 × 12	5.2
15	24	16	29	36	42	45	40	13	99	161.8	101.2	3	M6 × 18	17
16	24	16	29	36	42	45	40	13	105	151.7	101.2	3	M6 × 18	17
18	26	18	31	38	44	47	42	18	158	159.8	110.7	4	M6 × 18	17
19	27	18	31	38	44	48	43	18	167	151.4	106.6	4	M6 × 18	17
20	28	18	31	38	44	49	44	21	176	143.9	102.8	4	M6 × 18	17
22	32	25	38	45	51	54	48	21	232	112.8	77.6	4	M6 × 18	17
24	34	25	38	45	51	56	50	21	253	103.4	73	4	M6 × 18	17
25	34	25	38	45	51	56	50	21	263	99.3	73	4	M6 × 18	17
28	39	25	38	45	51	61	55	31	368	110.8	79.6	5	M6 × 18	17
30	41	25	38	45	51	63	57	31	474	124.1	90.8	6	M6 × 18	17
32	43	30	43	50	56	65	59	31	505	97	72.2	6	M6 × 18	17
35	47	30	43	50	56	69	63	42	737	118.9	88	8	M6 × 18	17
38	50	30	43	50	56	72	66	42	800	108.9	82.8	8	M6 × 18	17
40	53	32	45	52	58	75	69	53	947	109.1	82.3	9	M6 × 18	17
42	55	32	45	52	58	77	71	53	994	103.9	79.3	9	M6 × 18	17
45	59	40	56	64	72	85	79	78	1750	127.4	97.2	8	M8 × 22	42
48	62	40	56	64	72	88	82	78	1867	119.5	92.5	8	M8 × 22	42
50	65	50	66	74	82	92	85	97	2431	114.7	98.2	10	M8 × 22	42
55	71	50	66	74	82	98	91	97	2674	104.3	80.8	10	M8 × 22	42
60	77	50	66	74	82	104	97	97	2917	95.6	74.5	10	M8 × 22	42
65	84	50	66	74	82	111	104	97	3160	88.2	68.8	10	M8 × 22	42
70	90	60	80	91	101	122	115	123	4322	86.7	67.4	8	M10 × 25	84
75	95	60	80	91	101	126	119	197	6171	93	74	9	M10 × 25	84
80	100	65	85	96	106	131	124	237	7899	97	77	12	M10 × 25	84
85	106	65	85	96	106	137	130	237	8393	91	73	12	M10 × 25	84
90	112	65	85	96	106	143	136	276	10367	100	51	14	M10 × 25	84
95	120	65	85	96	106	153	144	276	10943	95	75	14	M10 × 25	84
100	125	65	89	102	114	162	153	348	14520	114	91	12	M12 × 30	145
110	140	70	94	107	119	177	168	348	15972	96	75	12	M12 × 30	145
120	155	90	114	127	139	195	185	465	23232	91	71	16	M12 × 30	145
130	165	90	114	127	139	205	195	465	25168	84	66	16	M12 × 30	145
140	175	90	114	127	139	215	205	465	27104	78	63	16	M12 × 30	145
150	185	90	114	127	139	225	215	465	29041	73	59	16	M12 × 30	145



**THE DIMENSION TO FIX
(SUGGESTION):
SHAFT: h8
HUB: H8**

尺寸 Dimensions					传递 Transmission		接触面压强 Contact Pressure		DIN912-12.9锁紧螺钉 Locking Screws Din912-12.9		
					轴向力 Axial Force	扭矩 Torque	轴 Shaft	毂 Hub	数量 Qty.	规格 Size	锁紧扭矩 Tightening Torque
Φd mm	ΦD mm	H mm	H1 mm	H2 mm	Ft KN	Mt Nm	P N/mm ²	P1 N/mm ²			Ts Nm
25	55	46	40	32	59	743	292	100	6	M6×35	17
28	55	46	40	32	59	832	261	100	6	M6×35	17
30	55	46	40	32	59	891	243	100	6	M6×35	17
35	60	60	54	44	69	1211	172	77	7	M6×45	17
38	75	62	54	44	125	2372	285	112	7	M8×50	41
40	75	62	54	44	125	2497	271	112	7	M8×50	41
42	75	62	54	44	125	2622	258	112	7	M8×50	41
45	75	62	54	44	125	2809	241	112	7	M8×50	41
48	80	62	64	56	143	3427	199	94	8	M8×55	41
50	80	72	64	56	143	3569	191	94	8	M8×55	41
55	85	72	64	56	161	4416	196	99	9	M8×55	41
60	90	72	64	56	178	5352	199	104	10	M8×55	41
65	95	72	64	56	178	5799	184	99	10	M8×55	41
70	110	88	78	70	289	10123	218	111	10	M10×60	83
75	115	88	78	70	289	10846	203	106	10	M10×60	83
80	120	88	78	70	318	12727	209	112	11	M10×60	83
85	125	88	78	70	347	14752	215	117	12	M10×60	83
90	130	88	78	70	347	15620	203	112	12	M10×60	83
95	135	88	78	70	347	16488	192	108	12	M10×60	83
100	145	112	100	90	463	23150	195	105	11	M12×80	145
110	155	112	100	90	505	27781	193	107	12	M12×80	145
120	165	112	100	90	589	35361	207	117	14	M12×80	145
130	180	130	116	104	687	44633	185	108	12	M14×90	230
140	190	130	116	104	801	56073	201	120	14	M14×90	230
150	200	130	116	104	858	64371	201	122	15	M14×90	230
160	210	130	116	104	916	73241	201	124	16	M14×90	230
170	225	164	148	134	1098	93306	190	107	14	M16×110	360
180	235	164	148	134	1176	105851	193	110	15	M16×110	360
190	250	164	148	134	1255	119180	195	110	16	M16×110	360
200	260	164	148	134	1255	125453	185	106	16	M16×110	360
220	285	164	148	134	1411	155248	189	109	18	M16×110	360